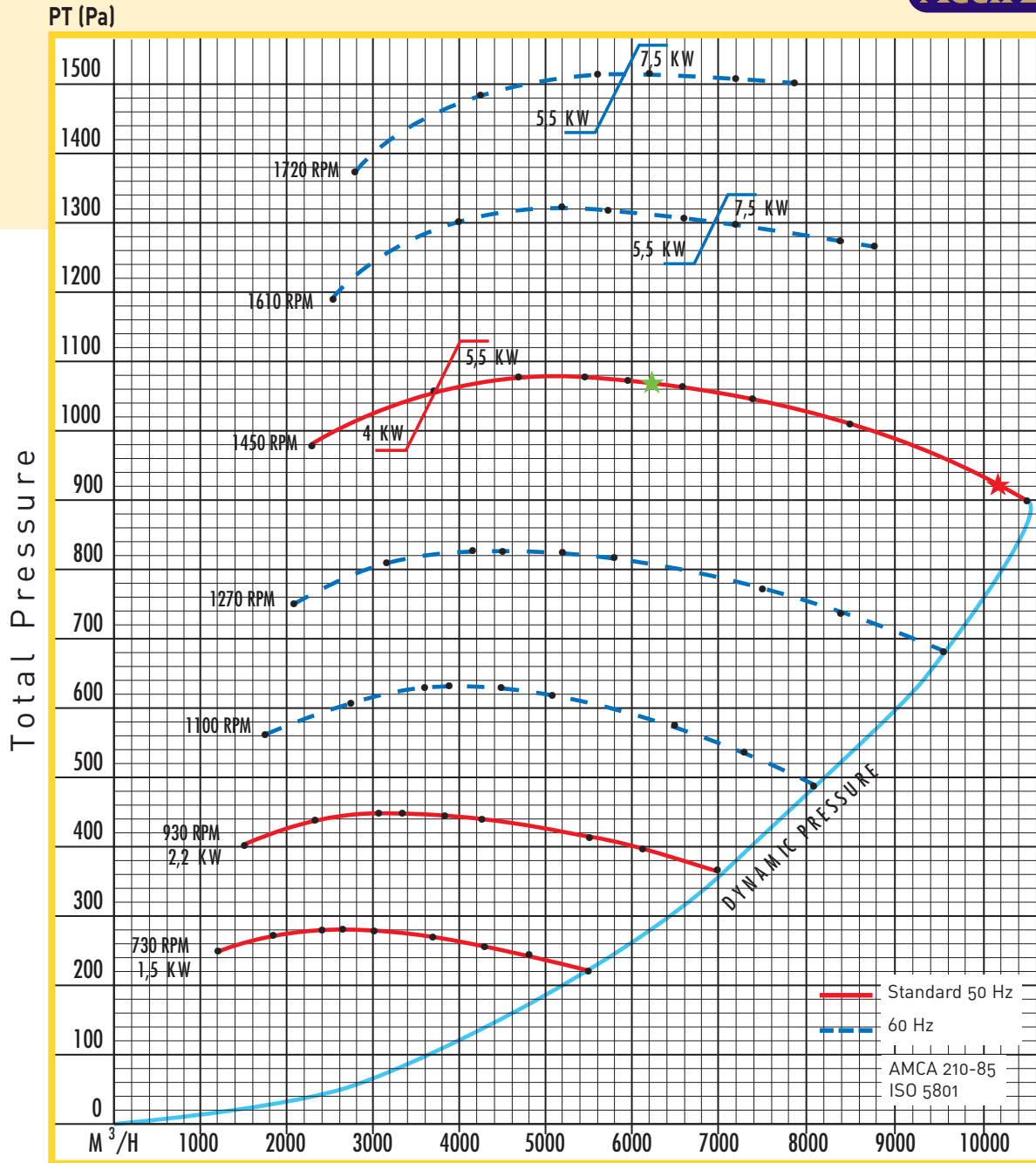


# SEAT 35



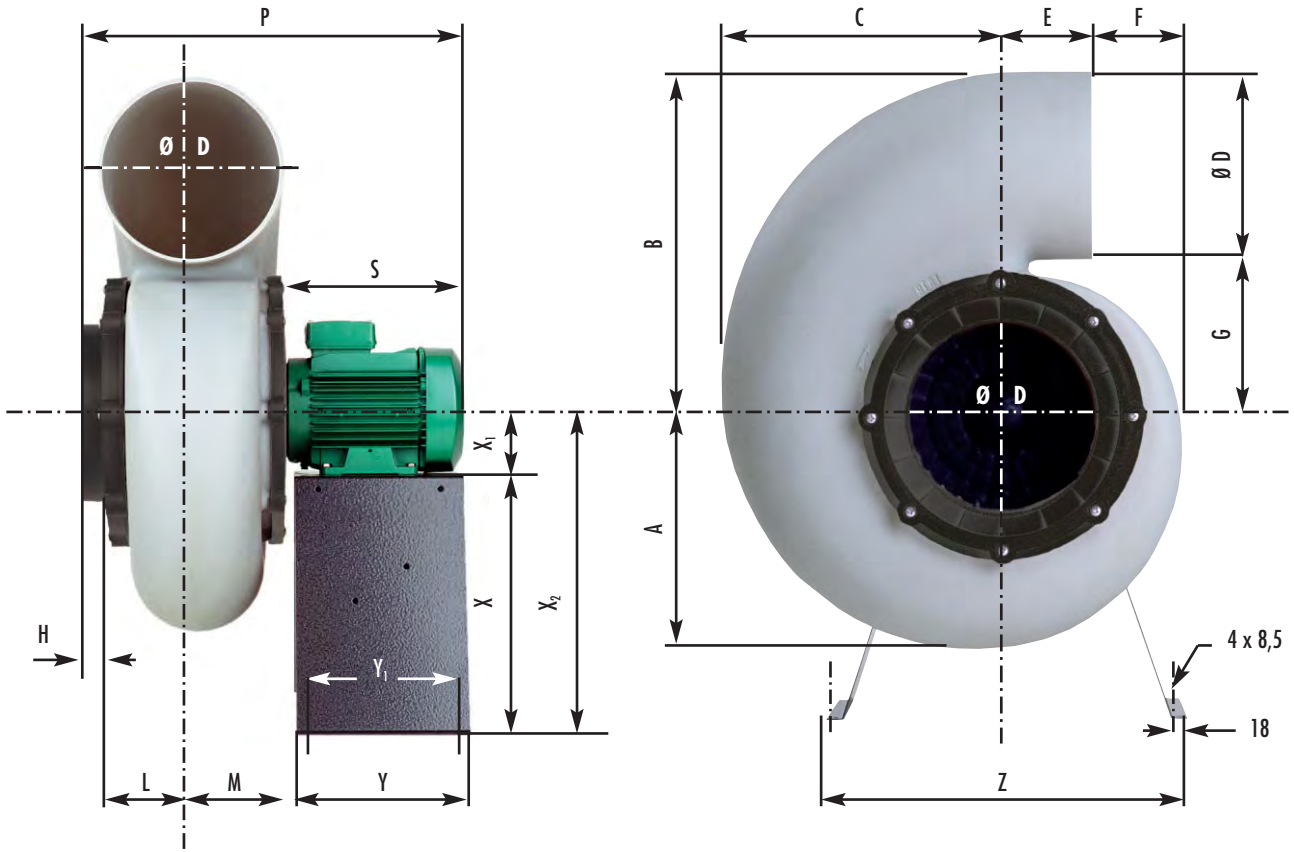
SEAT Series



n (T/min) R.P.M.	★ dB(A) ★	dB lin
730	67,8    78,2	76,1    83
950	74,1    84,4	82,2    89,4
1450	86    95,1	94,2    99,7
1720	90,7    100,4	98,1    104,4

n (T/min) R.P.M.	dB (A)	dB lin
1435	77,3	82,4

Noise ratings in accordance with ISO 9614/1.  
Visit our website for details.



ONLY LG POSITION

Dimensional data (mm) - Metal stand does not come standard with fan (see accessories pricing).  
The motor frame size may vary upon type of motor used.

RPM	A	B	C	Ø D	E	F	G	H	L	M	P	S	Y	Y <sub>1</sub>	Z	X	X <sub>1</sub>	X <sub>2</sub>
930	370	570	450	315	130	170	255	60	150	170	724	334	350	314	600	468	112	580
1450	370	570	450	315	130	170	255	60	150	170	792	402	350	314	600	468	112	580
1450 ATEX or 7,5 kW	370	570	450	315	130	170	255	60	150	170	822	432	350	314	600	468	132	600

Handings are viewed from inlet inside – 45 degree adjustable

